

Super X Valves

3/2 and 5/2, 1/8" and 1/4" ported
manually and mechanically
operated compressed air valves

Contents
Features.....VAL-7-1
3/2 Mechanically Operated Spool ValvesVAL-7-8
5/2 Mechanically Operated Spool ValvesVAL-7-11
3/2 Manually Operated Spool ValvesVAL-7-18
5/2 Manually Operated Spool ValvesVAL-7-22

- The compact size of the Super X Valve makes it an ideal choice for applications where space and envelope size are limited.
- Super X offers a wide range of operator types suitable for variety of industrial applications.
- Many of the Super X Manual Valves are suitable for panel mounting, and come with the panel mounting nut.
- The Super X Valves are suitable for multi-directional flow and dual pressure applications.
- Cv's of 0.34 (1/8") and 0.98 (1/4") provide exceptionally high flow for the compact size of the valve, making the Super X ideal for a wide range of applications.
- All Super X Valves are warranted to be free from defects for a full two years from the date of purchase. This extended warranty period provides users with a valuable guarantee of quality and service.



Super X Series Valves

In-line 3/2, 5/2 and 5/3 Spool Valves
Manual and Mechanical 1/8" and 1/4" NPT

- Wide range of operators
- Suitable for multi-directional flow and dual supply applications
- High flow capacity
- Lightweight corrosion resistant materials



Technical Data

Medium:

Compressed air, filtered, lubricated and non-lubricated

Operation:

Spool Valve, directly and indirectly actuated

Mounting:

Through-holes in valve body

Port Size:

1/8" and 1/4" NPT

Operating Pressure:

Maximum 26.5" Hg to 145 psig (-0.9 to 10 bar)

Flow Characteristics:

Size	Function	Cv	'C'	'b'	'A'	l/min	Kv
1/8" NPT	3/2, 5/2, 5/3	0.34	1.4	0.441	5.5	335	0.295
1/4" NPT	3/2, 5/2, 5/3	0.98	4.0	0.434	16	965	0.351

Operating Temperature:

32°F* to 158°F (0°C* to 70°C)

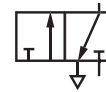
* Consult our Technical Service for use below 35°F (2°C).

Materials:

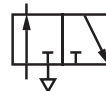
Diecast aluminum alloy body, aluminum or glass filled nylon end covers, nitrile rubber seals

Ordering Information

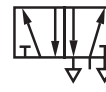
To order, quote number from tables on VAL-7-3, e.g. 03 0402 22 for a 1/8 NPT, 3/2 Roller Actuated, Spring Return Model.



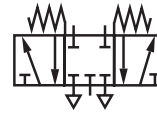
3/2 Normally closed



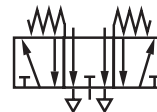
3/2 Normally open



5/2



5/3
All ports blocked mid position



5/3
Center open exhaust mid position

Super X Series Valves

All Dimensions in Inches (mm)



1/8 NPT 3/2 Mechanical Valves

Symbol	Model	Operator	Return	Weight lbs. (kg)	Repair kit	Page no	Stock
	03 0400 22	Plunger	Spring	0.31 (.14)	03 8408 02	VAL-7-8	yes
	03 0417 22	Plunger	Pilot	0.44 (.20)	03 8408 02	VAL-7-8	no
	03 0402 22	Roller	Spring	0.31 (.14)	03 8408 02	VAL-7-8	yes
	03 0411 22	Roller Lever	Spring	0.46 (.21)	03 8408 02	VAL-7-9	yes
	03 0293 22	Roller Lever (Heavy Duty)	Spring	0.46 (.21)	03 8408 02	VAL-7-9	no
	03 0423 22	Sensitive Roller Lever	Spring	0.55 (.25)	N/A	VAL-7-9	yes
	03 0409 22	Roller	Pilot	0.40 (.18)	03 8408 02	VAL-7-8	no
	03 0427 22	Roller Lever	Pilot	0.55 (.25)	03 8408 02	VAL-7-9	no
	03 0410 22	One-way Trip	Spring	0.46 (.21)	03 8408 02	VAL-7-10	yes
	03 0294 22	One-way trip (Heavy Duty)	Spring	0.46 (.21)	03 8408 02	VAL-7-10	no
	03 0432 22	Antenna	Spring	0.46 (.21)	N/A	VAL-7-10	yes

1/8 NPT 5/2 Mechanical Valves

Symbol	Model	Operator	Return	Weight lbs. (kg)	Repair kit	Page no.	Stock
	X3 0440 22	Plunger	Spring	0.55 (.25)	03 8408 02	VAL-7-11	yes
	X3 0457 22	Plunger	Pilot	0.68 (.31)	03 8408 02	VAL-7-11	no
	X3 0442 22	Roller	Spring	0.55 (.25)	03 8408 02	VAL-7-11	yes
	X3 0451 22	Roller Lever	Spring	0.71 (.32)	03 8408 02	VAL-7-12	yes
	X3 0393 22	Roller Lever (Heavy Duty)	Spring	0.64 (.29)	03 8408 02	VAL-7-12	no
	X3 0463 22	Sensitive Roller Lever	Spring	0.80 (.36)	N/A	VAL-7-12	yes
	X3 0449 22	Roller	Pilot	0.64 (.29)	03 8408 02	VAL-7-11	no
	X3 0467 22	Roller Lever	Pilot	0.80(.36)	03 8408 02	VAL-7-12	no
	X3 0450 22	One-way Trip	Spring	0.71 (.32)	03 8408 02	VAL-7-13	yes
	X3 0394 22	One Way Trip (Heavy Duty)	Spring	0.64 (.29)	03 8408 02	VAL-7-13	no
	X3 0472 22	Antenna	Spring	0.66 (.30)	N/A	VAL-7-13	yes

1/4 NPT 3/2 Mechanical Valves

Symbol	Model	Operator	Return	Weight lbs. (kg)	Repair kit	Page no.	Stock
	03 0600 22	Plunger	Spring	0.75 (.34)	03 8602 02	VAL-7-14	yes
	03 0602 22	Roller	Spring	0.75 (.34)	03 8602 02	VAL-7-14	yes
	03 0611 22	Roller Lever	Spring	0.90 (.41)	03 8602 02	VAL-7-15	yes
	03 0609 22	Roller	Pilot	0.86 (.39)	03 8612 02	VAL-7-14	no
	03 0624 22	Roller Lever	Pilot	1.0 (.45)	03 8612 02	VAL-7-15	no



Super X Series Valves

All Dimensions in Inches (mm)

1/4" NPT 5/2 Mechanical Valves

Symbol	Model	Operator	Return	Weight lbs. (kg)	Repair kit	Page no.	Stock
	X3 0640 22	Plunger	Spring	1.0 (.46)	03 8602 02	VAL-7-16	yes
	X3 0642 22	Roller	Spring	1.0 (.46)	03 8602 02	VAL-7-16	yes
	X3 0651 22	Roller Lever	Spring	1.17 (.53)	03 8602 02	VAL-7-17	yes
	X3 0649 22	Roller	Pilot	1.10 (.50)	03 8612 02	VAL-7-16	no
	X3 0664 22	Roller Lever	Pilot	3.57 (1.62)	03 8612 02	VAL-7-17	no

1/8" NPT 3/2 Manual Valves

Symbol	Model	Color	Operator	Return	Weight lbs. (kg)	Repair kit	Page no.	Stock
	03 0404 22	Black	Button (Palm)	Spring	0.33 (.15)	03 8408 02	VAL-7-18	yes
	03 0366 22	Red	Button, (Palm)	Spring	0.64 (.29)	03 8408 02	VAL-7-18	no
	03 0367 22	Green						
	03 0368 22	Black						
	03 0414 22	Black	Button, (Shrouded)	Spring	0.46 (.21)	03 8408 02	VAL-7-18	yes
	03 0408 22	Black	Button (Palm)	Pilot	0.49 (.22)	03 8408 02	VAL-7-18	no
	03 0420 22	Green						
	03 0421 22	Red						
	03 0428 22	Red	Emergency Stop	Twist Ring	0.68 (.31)	03 8473 02	VAL-7-19	no
	03 0335 22	Red	Button, Palm	Key	0.82 (.37)	03 8408 02	VAL-7-19	yes
	03 0438 22	Black	Lever	Spring	0.62 (.28)	03 8408 02	VAL-7-20	yes
	03 0403 22	Black	Lever	Lever	0.35 (.16)	03 8408 02	VAL-7-19	yes
	03 0437 22	Black	Lever	Lever	0.64 (.29)	03 8408 02	VAL-7-20	yes
	03 0296 22	Black	Lever	Lever	0.55 (.25)	03 8048 02	VAL-7-19	no
	03 0425 22	Black	Knob	Knob	0.37 (.17)	03 8408 02	VAL-7-20	yes
	03 0424 22	Black	Knob	Knob or Pilot	0.46 (.21)	03 8408 02	VAL-7-20	no
	03 0419 22	Black	Rotary Knob	Rotary Knob	0.64 (.29)	03 8408 02	VAL-7-20	yes
	03 0418 22 801	Chrome	Key	Key	0.79 (.36)	03 8408 02	VAL-7-21	yes
	03 0481 22	Black	Pedal	Spring	2.27 (1.03)	03 8408 02	VAL-7-21	yes
	03 0483 22	Black	Pedal	Pedal	2.36 (1.07)	03 8408 02	VAL-7-21	yes

Super X Series Valves

All Dimensions in Inches (mm)



1/8 NPT 5/2 & 5/3 Manual Valves

Symbol	Model	Color	Operator	Mid-position	Return	Weight lbs. (kg)	Spares kit	Page no.	Stock
	X3 0444 22	Black	Button (Palm)	-	Spring	0.57 (.26)	03 8408 02	VAL-7-22	yes
	X3 0386 22	Red	Button (Palm)	-	Spring	0.88 (.40)	03 8408 02	VAL-7-22	no
	X3 0387 22	Green							
	X3 0388 22	Black							
	X3 0454 22	Black	Button (Shrouded)	-	Spring	0.71 (.32)	03 8408 02	VAL-7-22	yes
	X3 0455 22	Green	Button (Shrouded)	-	Spring	0.71 (.32)	03 8408 02	VAL-7-22	yes
	X3 0456 22	Red	Button (Shrouded)	-	Spring	0.71 (.32)	03 8408 02	VAL-7-22	yes
	X3 0448 22	Black	Button (Palm)	-	Pilot	0.75 (.34)	03 8408 02	VAL-7-22	no
	X3 0460 22	Green							
	X3 0461 22	Red							
	X3 0465 22	Black	Knob, push	-	Knob, Pull	0.62 (.28)	03 8408 02	VAL-7-24	yes
	X3 0468 22	Red	Emergency Stop	-	Twist Ring	1.19 (.54)	03 8473 02	VAL-7-23	no
	X3 0375 22	Red	Palm Button, push	-	Key	1.06 (.48)	03 8408 02	VAL-7-23	yes
	X3 0478 22	Black	Lever	-	Spring	0.88 (.40)	03 8408 02	VAL-7-24	yes
	X3 0443 22	Black	Lever	-	Lever	0.60 (.27)	03 8408 02	VAL-7-23	yes
	X3 0477 22	Black	Lever	-	Lever	0.88 (.40)	03 8408 02	VAL-7-24	yes
	X3 0296 22	Black	Lever	-	Lever	0.80 (.36)	03 8408 02	VAL-7-23	no
	X3 3438 22	Black	Lever	APB	Lever	1.87 (.85)	03 8408 02	VAL-7-24	yes
	X3 3478 22	Black	Lever	COE	Lever	1.87 (.85)	03 8408 02	VAL-7-24	yes
	X3 3437 22	Black	Lever	APB	Lever	0.97 (.44)	03 8408 02	VAL-7-24	yes
	X3 3477 22	Black	Lever	COE	Lever	0.97 (.44)	03 8408 02	VAL-7-24	yes
	X3 0464 22	Black	Knob (push)	-	Knob (pull) or Pilot	0.71 (.32)	03 8408 02	VAL-7-24	no
	X3 0459 22	Black	Rotary Knob	-	Rotary Knob	0.88 (.40)	03 8408 02	VAL-7-25	yes
	X3 0458 22 801	Chrome	Key	-	Key	1.04 (.47)	03 8408 02	VAL-7-25	yes
	X3 0482 22	Black	Pedal	-	Spring	2.47 (1.12)	03 8408 02	VAL-7-25	yes
	X3 0484 22	Black	Pedal	-	Pedal	2.60 (1.18)	03 8408 02	VAL-7-25	yes

APB = All Ports Blocked, COE = Center Open Exhaust.



Super X Series Valves

All Dimensions in Inches (mm)

1/4" NPT 3/2 Manual Valves

Symbol	Model	Color	Operator	Return	Weight (kg)	Spares kit	Page no.	Stock
	03 0604 22	Black	Button	Spring	0.77 (.35)	03 8602 02	VAL-7-26	yes
	03 0608 22	Black	Button	Pilot	0.93 (.42)	03 8612 02	VAL-7-26	no
	03 0638 22	Black	Lever	Spring	1.06 (.48)	03 8602 02	VAL-7-26	yes
	03 0637 22	Black	Lever	Lever	1.08 (.49)	03 8602 02	VAL-7-26	yes
	03 0625 22	Black	Knob	Knob	0.82 (.37)	03 8602 02	VAL-7-26	yes
	03 0627 22	Black	Knob	Knob or Pilot	0.90 (.41)	03 8612 02	VAL-7-27	no
	03 0681 22	Black	Pedal	Spring	2.71 (1.23)	03 8602 02	VAL-7-27	no
	03 0683 22	Black	Pedal	Pedal	2.80 (1.27)	03 8602 02	VAL-7-27	no

Super X Series Valves

All Dimensions in Inches (mm)



1/4" NPT 5/2 & 5/3 Manual Valves

Symbol	Model	Color	Operator	Mid-position	Return	Weight lbs. (kg)	Spares kit	Page no.	Stock
	X3 0644 22	Black	Button	-	Spring	1.04 (.47)	03 8602 02	VAL-7-28	yes
	X3 0648 22	Black	Button	-	Pilot	1.19 (.54)	03 8612 02	VAL-7-28	no
	X3 0678 22	Black	Lever	-	Spring	1.32 (.60)	03 8602 02	VAL-7-28	yes
	X3 0677 22	Black	Lever	-	Lever	1.35 (.61)	03 8602 02	VAL-7-28	yes
	X3 3638 22	Black	Lever	APB	Lever	2.34 (1.06)	03 8602 02	VAL-7-28	yes
	X3 3678 22	Black	Lever	COE	Lever	2.34 (1.06)	03 8602 02	VAL-7-28	yes
	X3 3637 22	Black	Lever	APB	Lever	1.43 (.65)	03 8602 02	VAL-7-28	yes
	X3 3677 22	Black	Lever	COE	Lever	1.43 (.65)	03 8602 02	VAL-7-28	yes
	X3 0665 22	Black	Knob	-	Knob	1.08 (.49)	03 8602 02	VAL-7-29	yes
	X3 0682 22	Black	Pedal	-	Spring	2.93 (1.33)	03 8602 02	VAL-7-29	no
	X3 0684 22	Black	Pedal	-	Pedal	3.06 (1.39)	03 8602 02	VAL-7-29	no

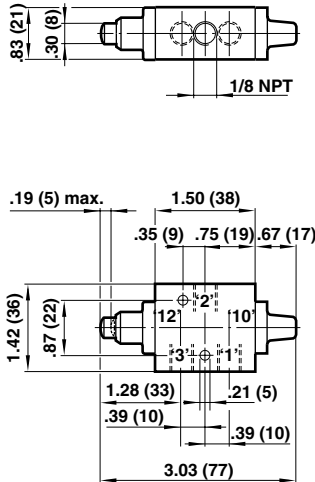
APB = All Ports Blocked, COE = Center Open Exhaust.



Super X Series Valves

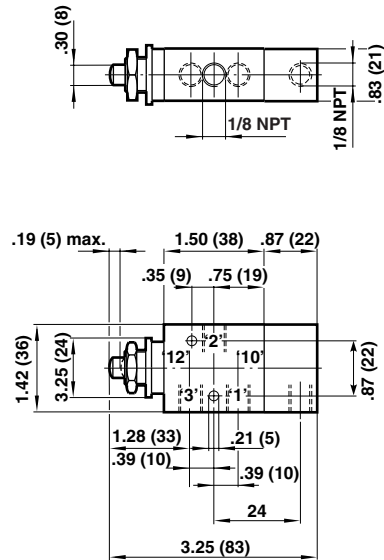
All Dimensions in Inches (mm)

03 0400 22 1/8" NPT 3/2 Plunger Actuated Spring Return Valve



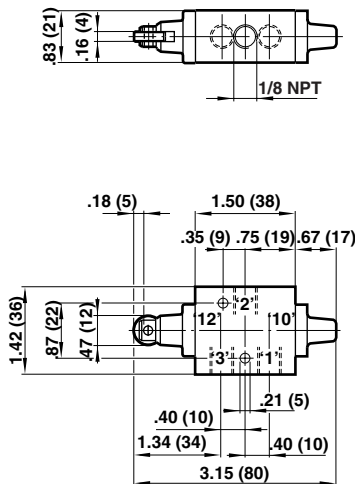
Operating Force: 7 lbs (31N)
The plunger on this valve is designed for axial loading only.

03 0417 22 1/8" NPT 3/2 Plunger Actuated Pilot Return Valve



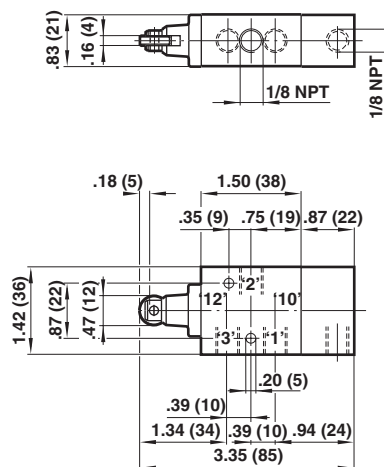
Operating Force: 4 lbs (18N), '10' at zero bar
Reset Pressure: 30 lb (2 bar) minimum; Full Movement: 0.19" (4.8mm)
The plunger on this valve is designed for axial loading only. This valve can be panel mounted.
Panel Cut-out: Ø.59" (15 mm); Panel thickness: 0.2" (5mm)

03 0402 22 1/8" NPT 3/2 Roller Actuated Spring Return Valve



Operating Force: 7 lbs (31N)
Maximum Recommended Cam Rise: .18" (4.5 mm)
Cam Angle of Approach: 30° maximum
Cam Speed: 26' (8 m)/min. maximum
Operating Speed: 300 cpm

03 0409 22 1/8" NPT 3/2 Roller Actuated Pilot Return Valve



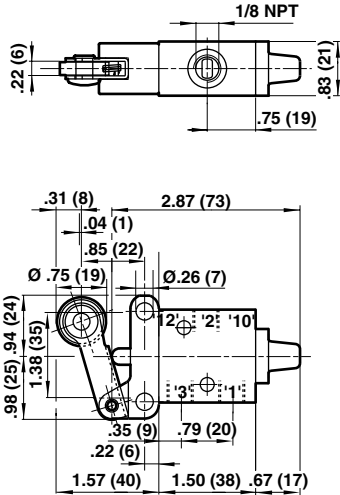
Operating Force: 4 lbs (18N), '10' at zero bar
Reset Pressure: 30 psi (2 bar) minimum
Maximum Recommended Cam Rise: .18" (4.5 mm)
Cam Angle of Approach: 30° maximum
Cam Speed: 26' (8 m)/min. maximum
Operating Speed: 300 cpm

Super X Series Valves

All Dimensions in Inches (mm)

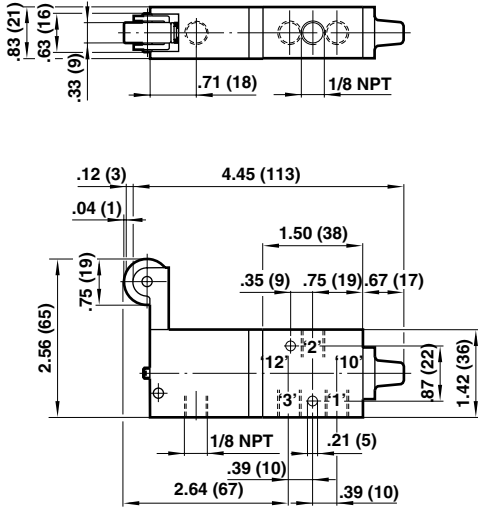


03 0293 22 1/8" NPT 3/2 Heavy Duty Roller Lever Actuated Spring Return Valve



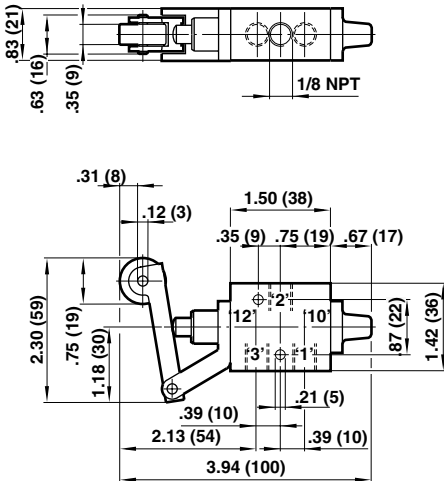
Operating Force: 4 lbs (18N); Operating Travel: .31" (8 mm)
Over-travel: .04" (1mm)
Cam Angle of Approach: 45° maximum
Cam Speed: 26' (8 m)/min. maximum
Operating Speed: 300 cpm

03 0423 22 1/8" NPT 3/2 Sensitive Roller Lever Actuated Spring Return Valve



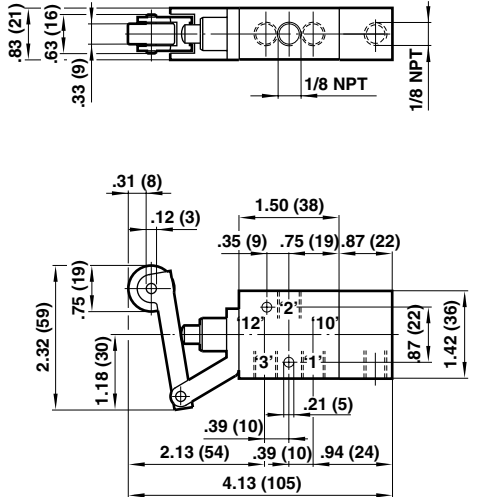
Operating Force: .22 lbs (1N)
Constant Bleed Pilot Supply: 30 psi (2 bar) minimum
Pre-travel: .04" (1 mm); Over-travel: .12" (3 mm)
Cam Angle of Approach: 45° maximum
Cam Speed: 21' (6.5 m)/min. maximum

03 0411 22 1/8" NPT 3/2 Roller Lever Actuated Spring Return Valve



Operating Force: 4 lbs (18N); Operating Travel: .31" (8 mm)
Over-travel: .12" (3 mm)
Cam Angle of Approach: 45° maximum
Cam Speed: 26' (8 m)/min. maximum
Operating Speed: 300 cpm

03 0427 22 1/8" NPT 3/2 Roller Lever Actuated Pilot Return Valve



Operating Force: 2 lbs (9N), '10' at zero bar
Reset Pressure: 30 lbs (2 bar) minimum
Operating travel: 26' (8 mm); Over-travel: .12" (3 mm)
Cam Angle of Approach: 45° maximum
Cam Speed: 26' (8 m)/min. maximum
Operating Speed: 300 cpm

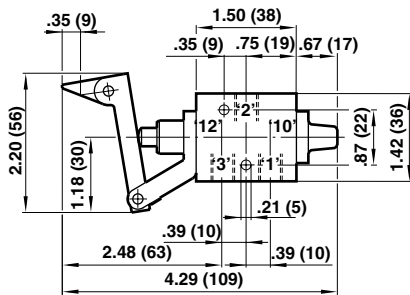
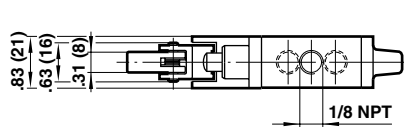


Super X Series Valves

All Dimensions in Inches (mm)

03 0410 22

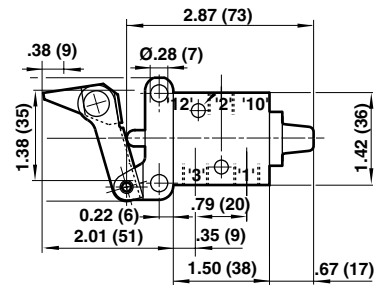
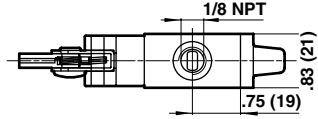
1/8" NPT 3/2 One-way Trip Actuated Spring Return Valve



Operating Force: 7 lbs (31N)
Cam Rise: .35" (9 mm)
Cam Angle of Approach: 90° maximum
Cam Speed: 6.6' (2 m)/min. maximum
Operating Speed: 120 cpm

03 0294 22

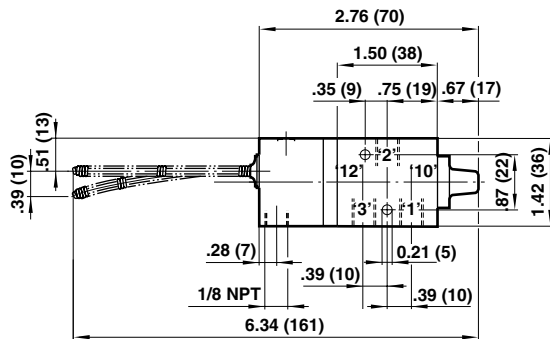
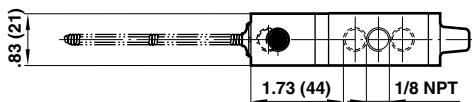
1/8" NPT 3/2 Heavy Duty One Way Trip Actuated Spring Return Valve



Operating Force: 7 lbs (31N)
Cam Rise: .35" (9 mm)
Cam Angle of Approach: 90° maximum
Cam Speed: 6.6' (2 m)/min. maximum
Operating Speed: 120 cpm

03 0432 22

1/8" NPT 3/2 Antenna Actuated Spring Return Valve



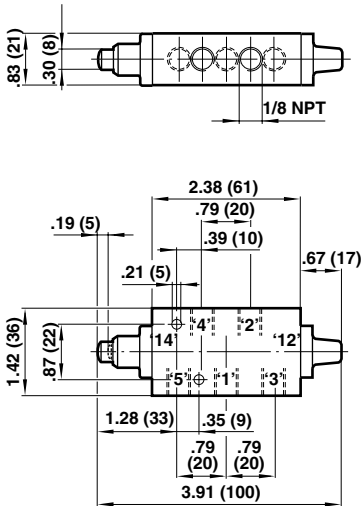
Operating Force: .06 lbs (0.3N) at tip
Constant Pilot Supply: 30 lbs (2 bar) minimum
Operating Movement: .40" (10 mm) minimum in any direction.

Super X Series Valves

All Dimensions in Inches (mm)

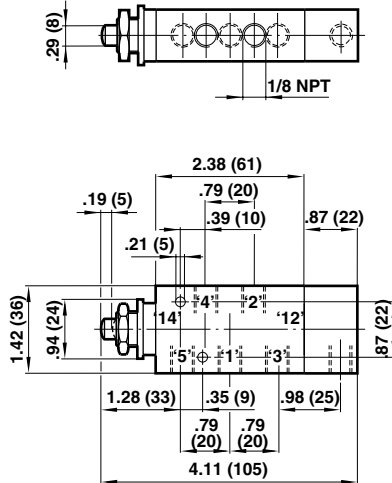


X3 0440 22 1/8" NPT 5/2 Plunger Actuated Spring Return Valve



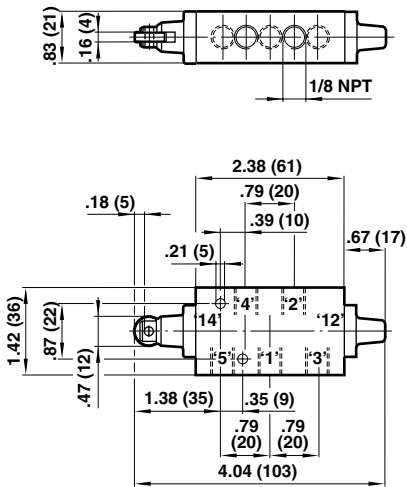
Operating Force: 12 lbs (54N)
Full Movement: .20" (4.8 mm)
The plunger on this valve is designed for axial loading only.

X3 0457 22 1/8" NPT 5/2 Plunger Actuated Pilot Return Valve



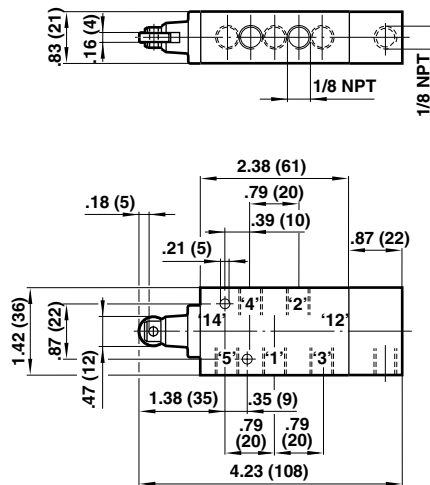
Operating Force: 5 lbs (22N), '12' at zero bar
Reset Pressure: 30 lbs (2 bar) minimum; Full Movement: .20" (4.8 mm)
The plunger on this valve is designed for axial mounting only. This valve can be panel mounted.
Panel Cut-out: .59" (Ø15 mm); Maximum Panel Thickness: .20" (5 mm)

X3 0442 22 1/8" NPT 5/2 Roller Actuated Spring Return Valve



Operating Force: 12 lbs (54N)
Maximum Recommended Cam Rise: .20" (4.5 mm)
Cam Angle of Approach: 30° maximum
Cam Speed: 26" (8 m)/min. maximum
Operating Speed: 300 cpm

X3 0449 22 1/8" NPT 5/2 Roller Actuated Pilot Return Valve



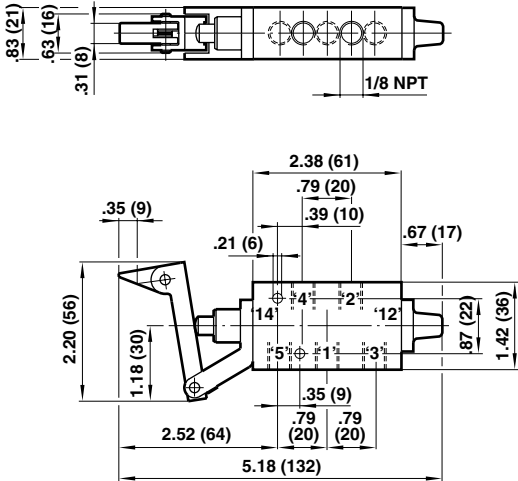
Operating Force: 5 lbs (22N), '12' at zero bar
Reset Pressure: 30 psi (2 bar) minimum
Maximum Recommended Cam Rise: .18" (4.5 mm)
Cam Angle of Approach: 30° maximum
Cam Speed: 26" (8m)/min. maximum
Operating Speed: 300 cpm

Super X Series Valves

All Dimensions in Inches (mm)

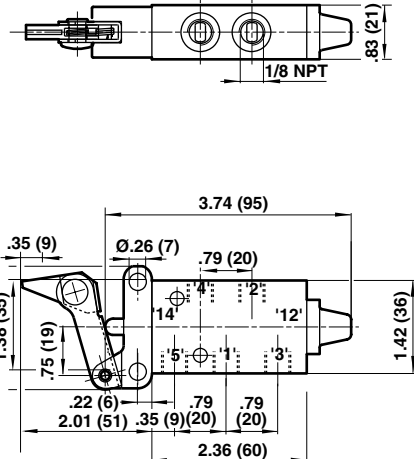


X3 0450 22 1/8" NPT 5/2 One-way Trip Actuated Spring Return Valve



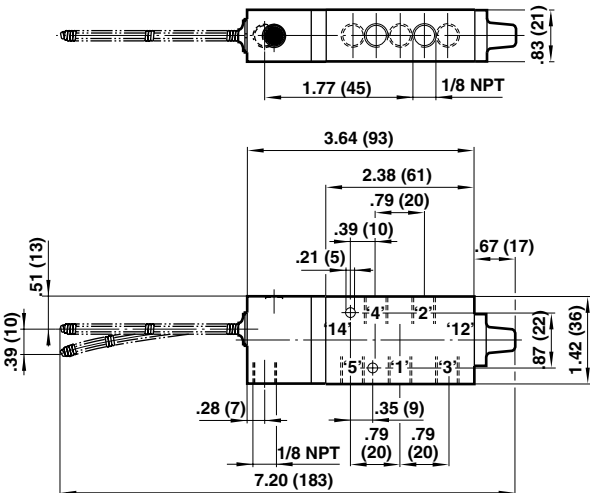
Operating Force: 7 lbs (31N)
 Cam Rise: .35" (9mm)
 Cam Angle of Approach: 90° maximum
 Cam Speed: 6.5' (2 m)/min. maximum
 Operating Speed: 120 cpm

X3 0394 22 1/8" NPT 5/2 Heavy Duty One Way Trip Actuated Spring Valve



Operating Force: 7 lbs (31N)
 Cam Rise: .35" (9mm)
 Cam Angle of Approach: 90° maximum
 Cam Speed: 6.5' (2 m)/min. maximum
 Operating Speed: 120 cpm

X3 0472 22 1/8" NPT 5/2 Antenna Actuated Spring Return Valve



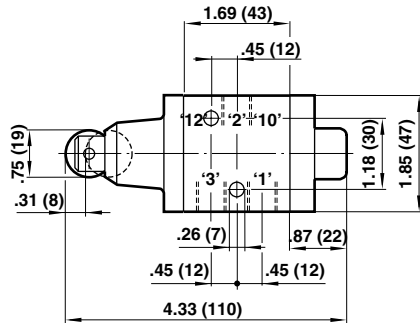
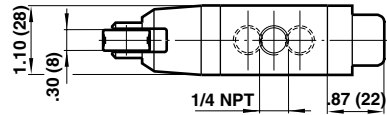
Operating Force: .07 lbs (0.3N) at tip
 Constant Pilot Supply: 45 psi (3 bar) minimum
 Operating Movement: .40" (10 mm) minimum in any direction



Super X Series Valves

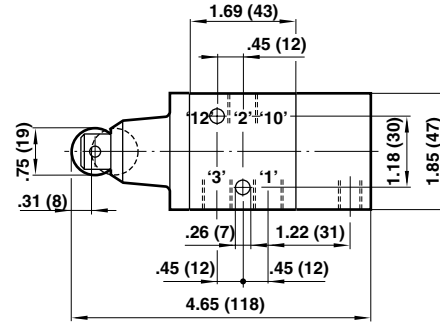
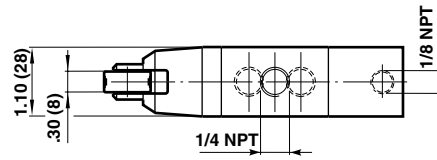
All Dimensions in Inches (mm)

03 0602 22 1/4" NPT 3/2 Roller Actuated Spring Return Valve



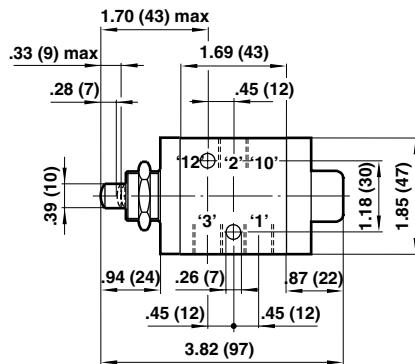
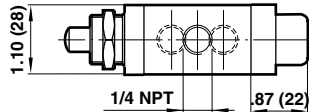
Operating Force: 14 lbs (61N)
Cam Angle of Approach: 45° maximum
Cam Speed: 20' (6 m)/min. maximum
Operating Speed: 200 cpm

03 0609 22 1/4" NPT 3/2 Roller Actuated Pilot Return Valve



Operating Force: 3 lbs (13N), '10' at zero bar
Reset Pressure: 30 psi (2 bar) minimum
Cam Angle of Approach: 45° maximum
Cam Speed: 20' (6 m)/min. maximum
Operating Speed: 200 cpm

03 0600 22 1/4" NPT 3/2 Plunger Actuated Spring Return Valve



Operating Force: 12 lbs (53N)
The plunger on this valve is designed for axial loading only.

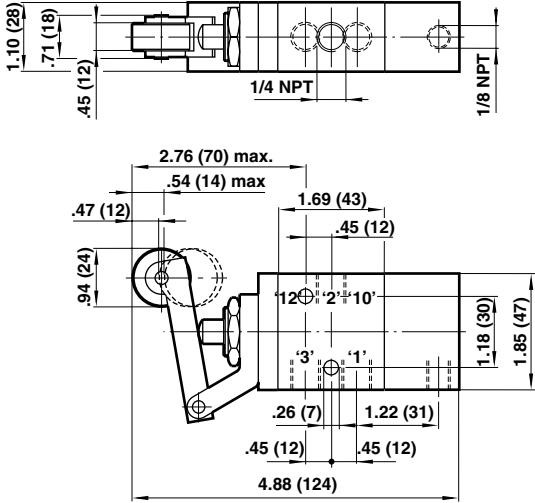
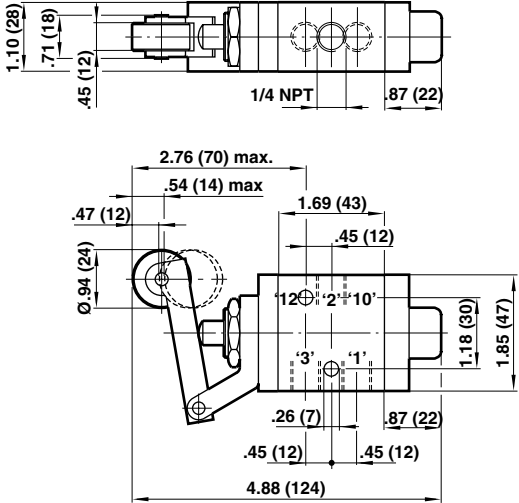
Super X Series Valves

All Dimensions in Inches (mm)



03 0611 22
1/4" NPT 3/2 Roller Lever Actuated Spring Return Valve

03 0624 22
1/4" NPT 3/2 Roller Lever Actuated Pilot Return Valve



Operating Force: 10 lbs (45N)
 Cam Angle of Approach: 45° maximum
 Cam Speed: 16' (5 m)/min. maximum
 Operating Speed: 150 cpm

Operating Force: 2 lbs (9N), '10' at zero bar
 Reset Pressure: 30 psi (2 bar) minimum
 Cam Angle of Approach: 45° maximum
 Cam Speed: 16' (5 m)/min. maximum
 Operating Speed: 150 cpm

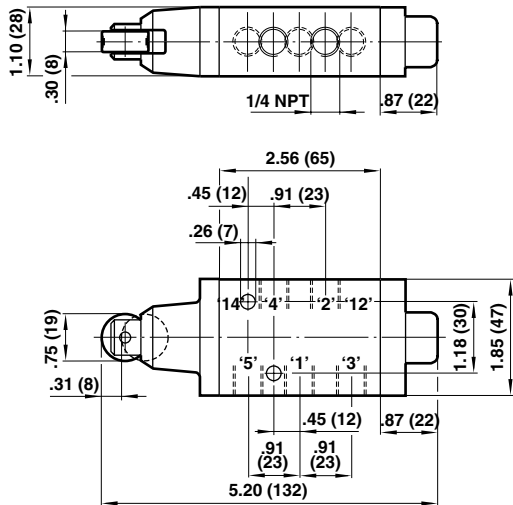


Super X Series Valves

All Dimensions in Inches (mm)

X3 0642 22

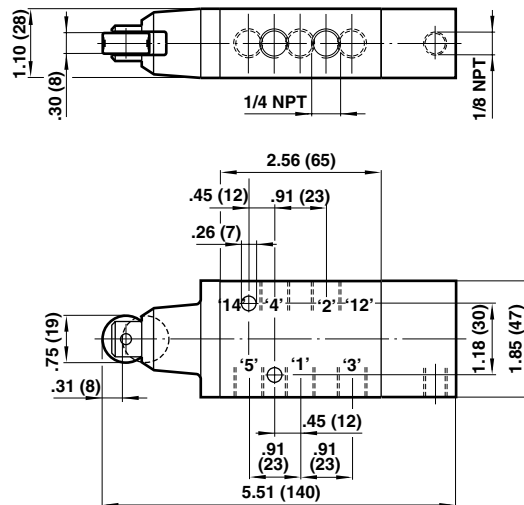
1/4" NPT 5/2 Roller Actuated Spring Return Valve



Operating Force: 15 lbs (67N)
 Cam Angle of Approach: 45° maximum
 Cam Speed: 20' (6 m)/min. maximum
 Operating Speed: 200 cpm

X3 0649 22

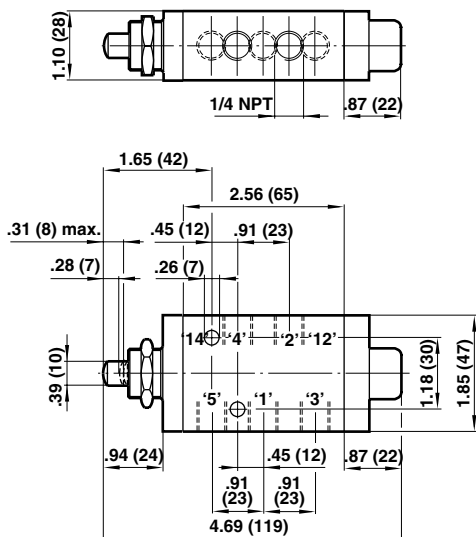
1/4" NPT 5/2 Roller Actuated Pilot Return Valve



Operating Force: 3 lbs (13N), '12' at zero bar
 Reset Pressure: 30 psi (2 bar) minimum
 Cam Angle of Approach: 45° maximum
 Cam Speed: 20' (6 m)/min. maximum
 Operating Speed: 200 cpm

X3 0640 22

1/4" NPT 5/2 Plunger Actuated Spring Return Valve



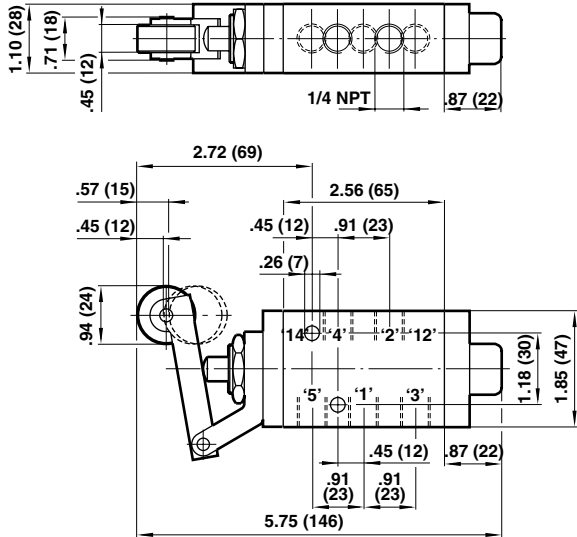
Operating Force: 14 lbs (62N)
 The plunger on this valve is designed for axial loading only.

Super X Series Valves

All Dimensions in Inches (mm)

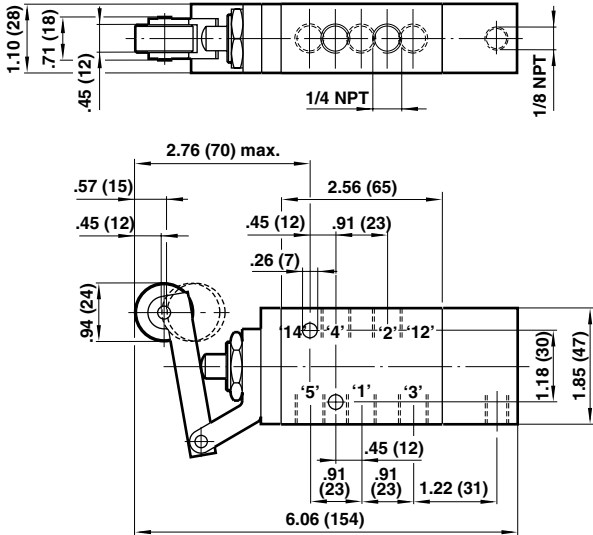


X3 0651 22 1/4" NPT 5/2 Roller Lever Actuated Spring Return Valve



Operating Force: 10 lbs (45N)
Cam Angle of Approach: 45° maximum
Cam Speed: 16' (5 m)/min. maximum
Operating Speed: 150 cpm

X3 0664 22 1/4" NPT 5/2 Roller Lever Actuated Pilot Return Valve



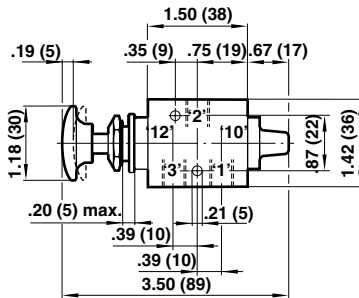
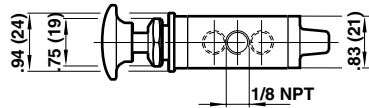
Operating Force: 2 lbs (9N), '12' at zero bar
Reset Pressure: 30 psi (2 bar) minimum
Cam Angle of Approach: 45° maximum
Cam Speed: 16' (5 m)/min. maximum
Operating Speed: 150 cpm Man 1/8 NPT-5/2



Super X Series Valves

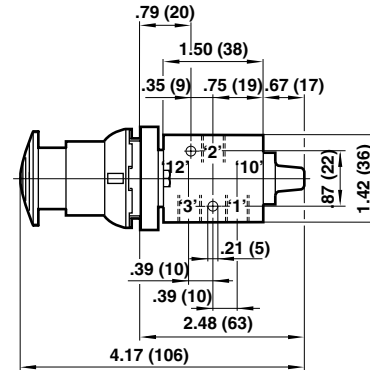
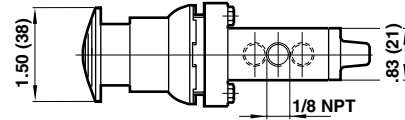
All Dimensions in Inches (mm)

03 0404 22 1/8" NPT 3/2 Button Operated Spring Return Valve



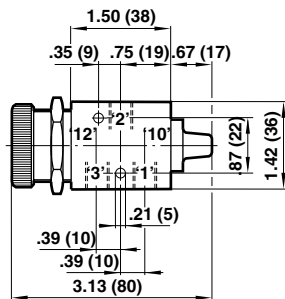
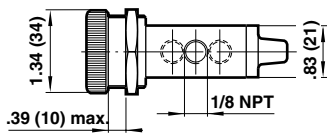
Operating Force: 7 lbs (31N)
These valves are suitable for panel mounting by means of an optional nut and washer, reference 03 0430 00; a shrouded panel mounting kit is also available, reference 03 0429 00.
Panel Hole: Ø.59" (15 mm); Panel Thickness: .2 (5 mm) maximum
Replacement Button Red - part number: 03040965
Green - part number: 03040865
Black - part number: 03040765

03 0366 22, 03 0367 22, 03 0368 22 Models 1/8" NPT 3/2 Button (Palm) Operated Spring Return Valves



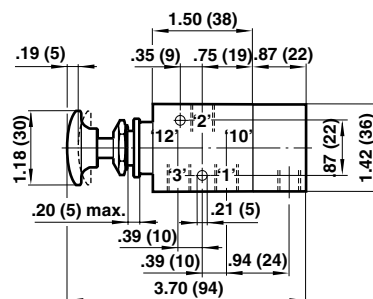
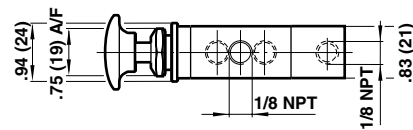
Operating Force: 7 lbs (31N)
These valves are suitable for panel mounting.
Panel Hole: Ø1.26" (32.1 mm); Panel Thickness: .24" (6 mm) maximum

03 0414 22 1/8" NPT 3/2 Button (Shrouded) Operated Spring Return Valve



Operating Force: 7 lbs (31N)
These valves are suitable for panel mounting.
Panel Hole: Ø1.22" (31 mm); Panel Thickness: .39" (10 mm) maximum
Replacement Button Red - part number: 03041661
Green - part number: 03041561
Black - part number: 03041463

03 0408 22, 03 0420 22, 03 0421 22 Models 1/8" NPT 3/2 Button Operated Pilot Return Valve



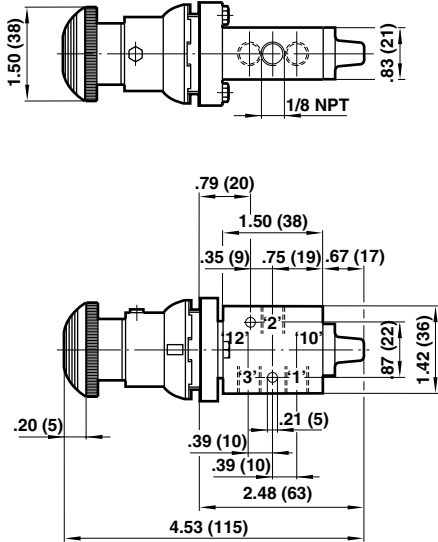
Operating Force: 4 lbs (18N), pilot port '10' at zero bar
Reset Pressure: 30 psi (2 bar) minimum
These valves are suitable for panel mounting by means of an optional nut and washer, reference 03 0430 00; a shrouded panel mounting kit is also available, reference 03 0429 00.
Panel Hole: Ø.59" (15 mm); Panel Thickness: .20" (5 mm) maximum

Super X Series Valves

All Dimensions in Inches (mm)

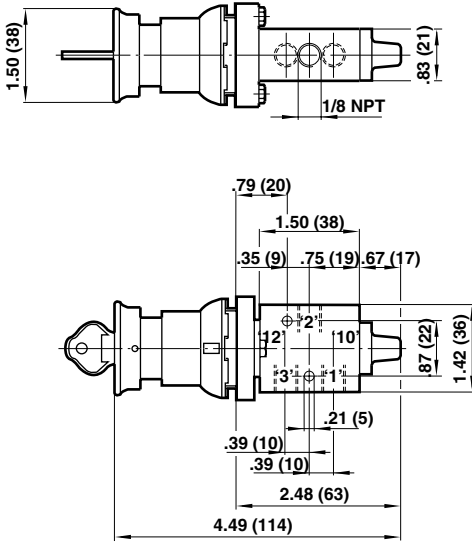


03 0428 22 1/8" NPT 3/2 Palm Button Operated, Twist Return Valve (Emergency Stop)



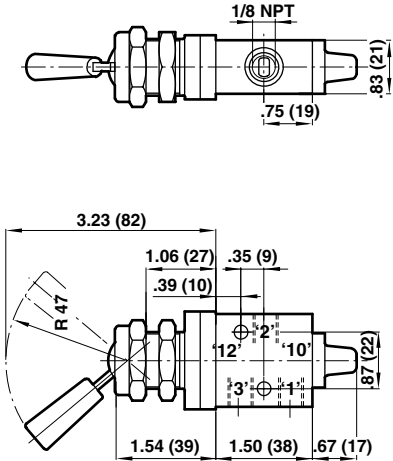
Operating Force: 4 lbs (18N)
Valve latches when button is depressed and returns when the locking ring is rotated anti-clockwise.
This valve is suitable for panel mounting.
Panel Hole: 1.26" (32.1 mm); Panel Thickness: .31" (8 mm) maximum

03 0335 22 1/8" NPT 3/2 Button (Palm) Operated Key Return Valve



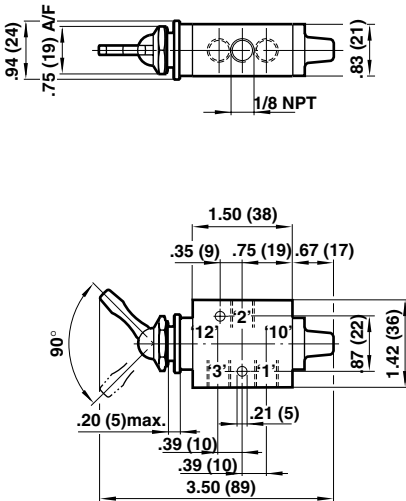
Operating Force: 7 lbs (31N)
Valve latches when button is depressed. To reset, turn key. This valve is suitable for panel mounting.
Panel Hole: 1.26" (32.1 mm); Panel Thickness: .24" (6mm) maximum

03 0296 22 1/8" NPT 3/2 Lever Operated Lever Return Valve



Operating Force: 3 lbs (13N)
This valve is suitable for panel mounting.
Panel Hole: .89" (22.5 mm); Panel Thickness: .24 (6 mm) maximum

03 0403 22 1/8" NPT 3/2 Lever Operated Spring Return Valve



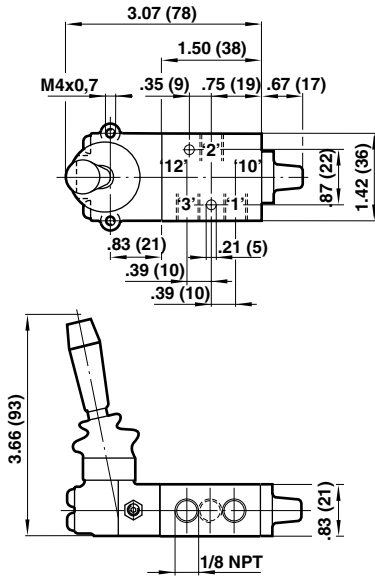
Operating Force: 6 lbs (28N)
This valve is suitable for panel mounting. A fingertip extension is available for this valve, reference 07 0033 01.
Panel Hole: Ø.59" (15 mm); Panel Thickness: .20 (5 mm) maximum



Super X Series Valves

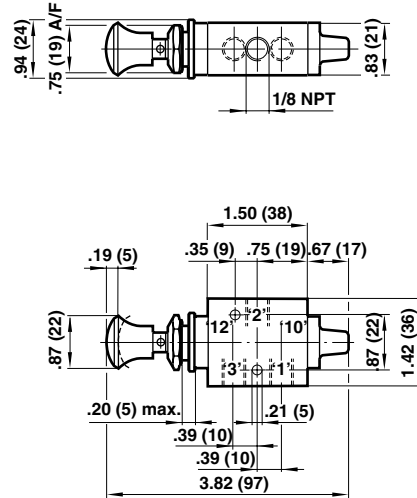
All Dimensions in Inches (mm)

03 0438 22 & 03 0437 22 Models 1/8" NPT 3/2 Lever Operated Spring Return Valves



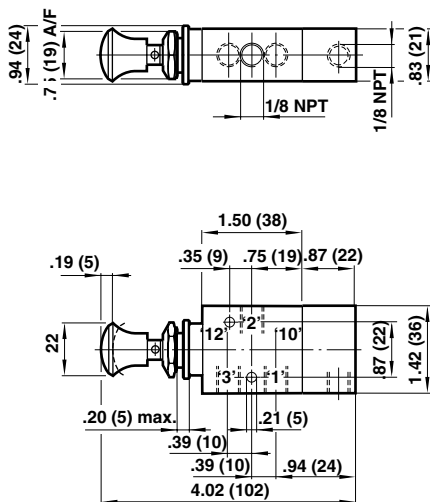
Operating Force: 2 lbs (9N)
 Model 03 0437 22 features a positive detent in each position and is suitable for panel mounting by means of a bezel kit, reference 03 3437 64.
 Panel Hole: \varnothing .94" (24 mm)
 Panel Thickness: .31" (8 mm) maximum

03 0425 22 1/8" NPT 3/2 Knob Operated Knob Return Valve



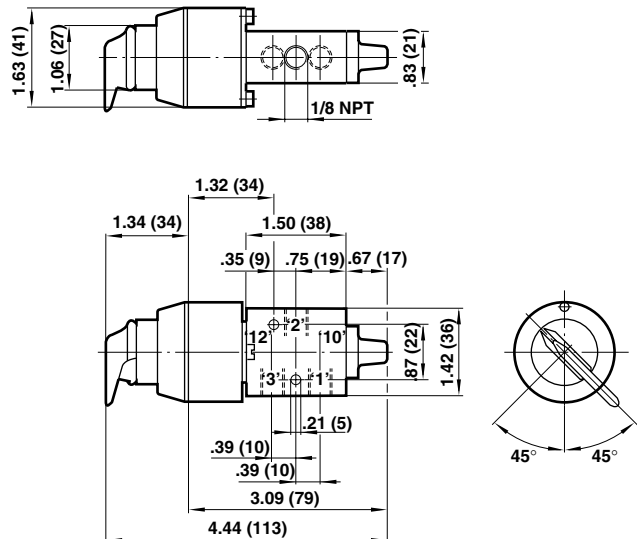
Operating Force: 4 lbs (18N)
 This valve is suitable for panel mounting by means of an optional nut and washer, reference 03 0430 00.
 Panel Hole: \varnothing .59" (15 mm); Panel Thickness: .20" (5 mm) maximum
 Replacement Button Red - part number: 03046463
 Black - part number: 03046462

03 0424 22 1/8" NPT 3/2 Knob Operated, Knob or Pilot Return Valve



Operating Force: 4 lbs (18N)
 Reset Pressure: 30 psi (2 bar) minimum
 This valve is suitable for panel mounting by means of an optional nut and washer, reference 03 0430 00.
 Panel Hole: \varnothing .59" (15 mm); Panel Thickness: .20" (5 mm) maximum

03 0419 22 1/8" NPT 3/2 Rotary Knob Operated Rotary Knob Return Valve



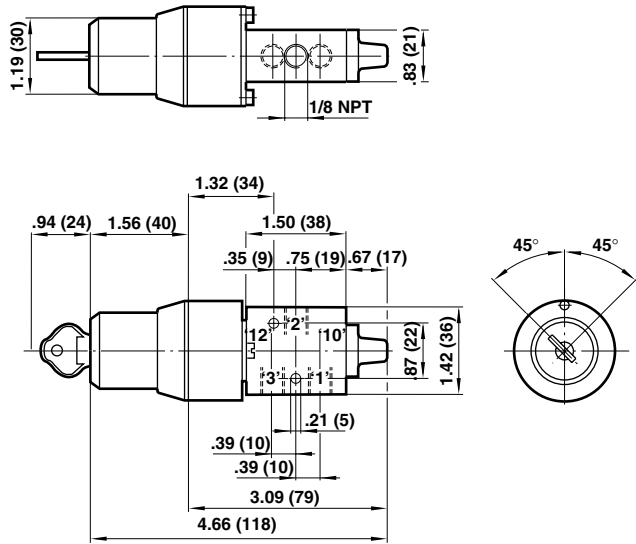
Switch shown in non-operated position
 This valve is suitable for panel mounting.
 Panel Hole: \varnothing 1.26" (32.1mm); Panel Thickness: .24" (6mm) maximum

Super X Series Valves

All Dimensions in Inches (mm)

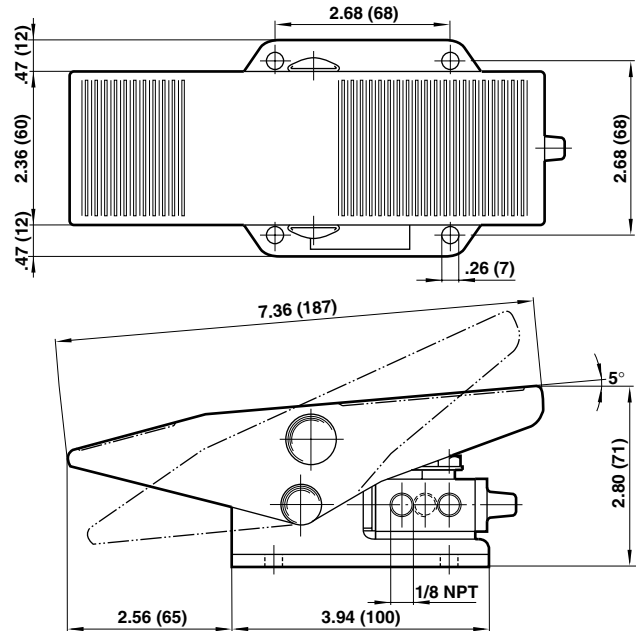


03 0418 22 801 1/8" NPT 3/2 Key Operated Key Return Valve



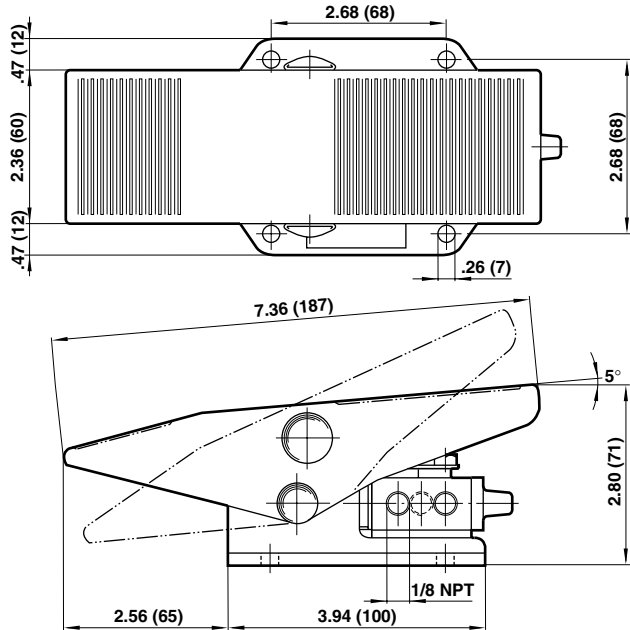
The key is removable in both positions. Key slot shown in non-operated position. Two keys are supplied.
This valve is suitable for panel mounting.
Panel Hole: Ø1.26" (32.1 mm)
Panel Thickness: .24" (6 mm) maximum

03 0481 22 1/8" NPT 3/2 Pedal Operated Spring Return Valve



Operating Force: 5 lbs (22N)
A foot guard is available for this valve, reference 03 0480 60.

03 0483 22 1/8" NPT 3/2 Pedal Operated Pedal Return Valve



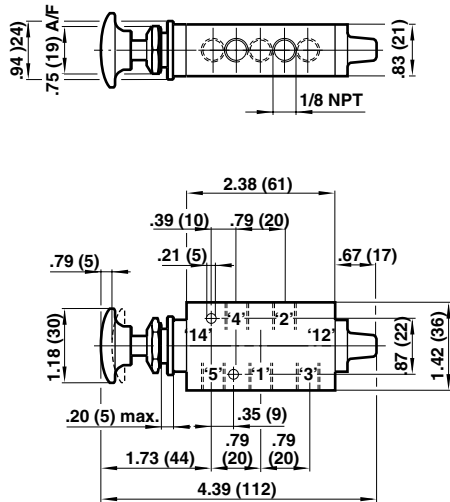
Operating Force: 5 lbs (22N)
A foot guard is available for this valve, reference 03 0480 60.



Super X Series Valves

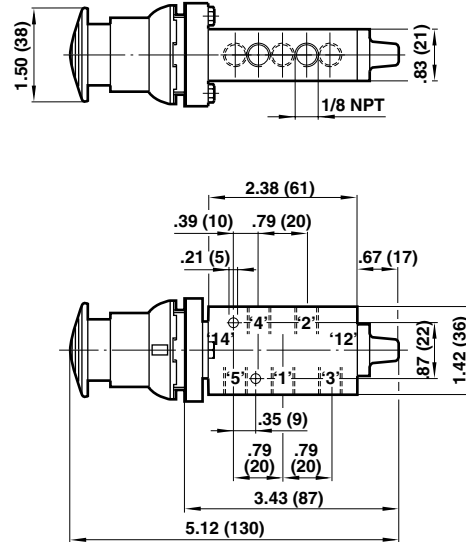
All Dimensions in Inches (mm)

X3 0444 22 1/8" NPT 5/2 Button (Palm) Operated Spring Return Valves



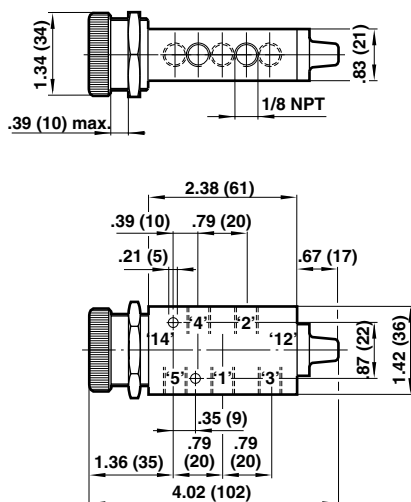
Operating Force: 12 lbs (54N)
 These valves are suitable for panel mounting by means of an optional nut and washer, reference 03 0430 00; a shrouded panel mounting kit is also available, reference 03 0429 00.
 Panel Hole: \varnothing .59" (15 mm); Panel Thickness: .20" (5mm) maximum
 Replacement Button Red - part number: 03040965
 Green - part number: 03040865
 Black - part number: 03040765

X3 0386 22, X3 0387 22, X3 0388 22 1/8" NPT 5/2 Button (Palm) Operated Spring Return Valves



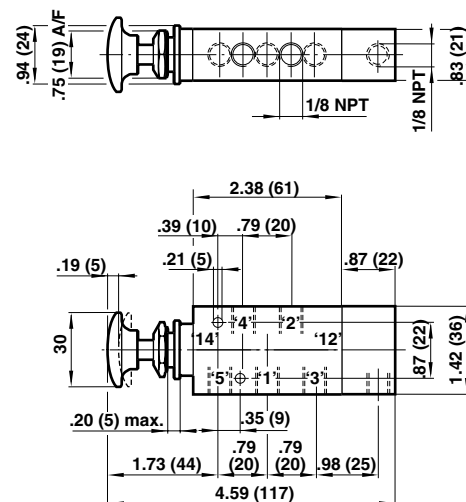
Operating Force: 7 lbs (31N)
 These valves are suitable for panel mounting.
 Panel Hole: \varnothing 1.26" (32.1 mm)
 Panel Thickness: .24" (6 mm) maximum

X3 0454 22, X3 0455 22, X3 0456 22 1/8" NPT 5/2 Button (Shrouded) Operated Spring Return Valves



Operating Force: 12 lbs (54N)
 These valves are suitable for panel mounting.
 Panel Hole: \varnothing 1.22" (31 mm)
 Panel Thickness: .39" (10 mm maximum)
 Replacement Button Red - part number: 03041661
 Green - part number: 03041561
 Black - part number: 03041463

X3 0448 22, X3 0460 22, X3 0461 22 1/8" NPT 5/2 Button (Palm) Operated Pilot Return Valves



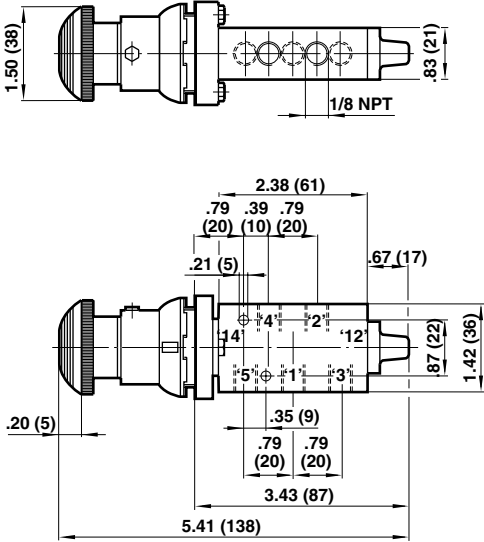
Operating Force: 5 lbs (22N), pilot port '12' at zero bar
 Reset Pressure: 30 psi (2 bar) minimum
 These valves are suitable for panel mounting by means of an optional nut and washer, reference 03 0430 00; a shrouded panel mounting kit is also available, reference 03 0429 00.
 Panel Hole: \varnothing .59" (15 mm); Panel Thickness: .20" (5 mm) maximum

Super X Series Valves

All Dimensions in Inches (mm)

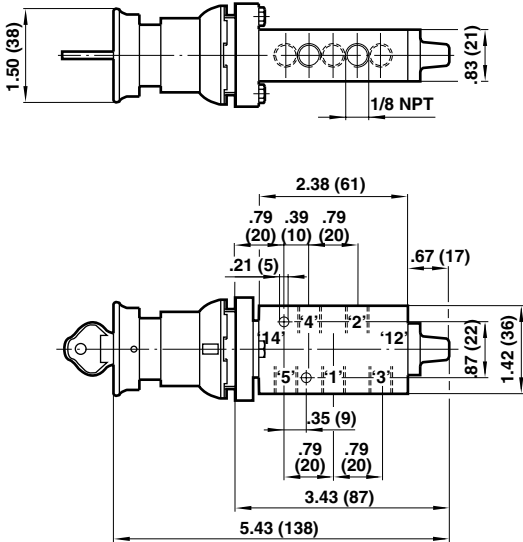


X3 0468 22 1/8" NPT 5/2 Button (Palm) Operated Twist Return Valve (Emergency Stop)



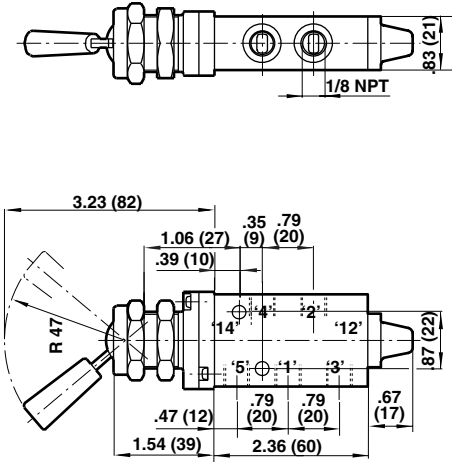
Operating Force: 4 lbs (18N)
Valve latches when button is depressed and returns when the locking ring is rotated anti-clockwise.
This valve is suitable for panel mounting.
Panel Hole: Ø1.26" (32.1 mm); Panel thickness: .31" (8mm) maximum

X3 0375 22 1/8" NPT 5/2 Button (Palm) Operated Key Return Valve



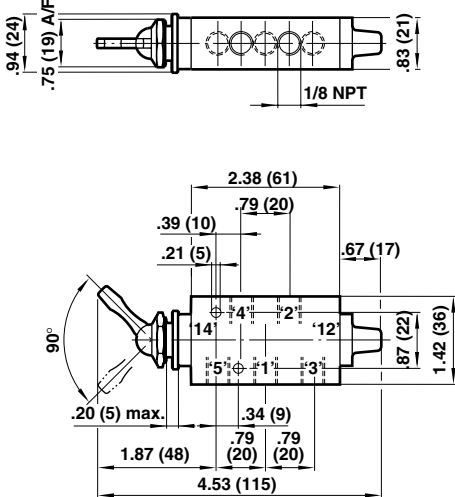
Operating Force: 12 lbs (54N)
Valve latches when button is depressed. To reset, turn key. This valve is suitable for panel mounting.
Panel Hole: Ø1.26" (32.1 mm)
Panel Thickness: .24" (6 mm) maximum

X3 0296 22 1/8" NPT 5/2 Lever Operated Lever Return Valve



Operating Force: 3 lbs (13N)
This valve is suitable for panel mounting.
Panel Hole: .89" (22.5 mm); Panel Thickness: .24" (6 mm) maximum

X3 0443 22 1/8" NPT 5/2 Lever Operated Spring Return Valve



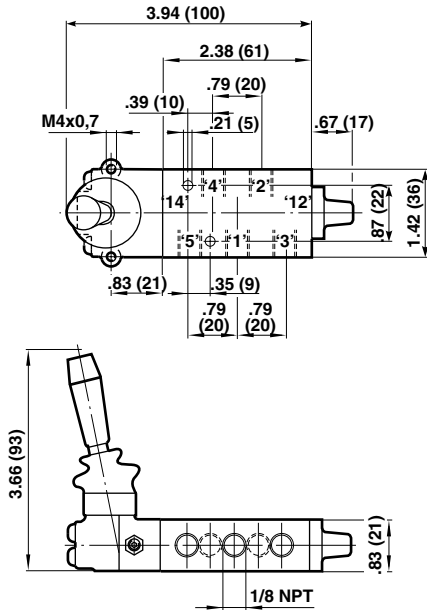
Operating Force: 11 lbs (48N)
This valve is suitable for panel mounting. A fingertip extension is available for use on this valve, reference 07 0033 01.
Panel Hole: Ø.59" (15 mm); Panel thickness: .20" (5 mm) maximum



Super X Series Valves

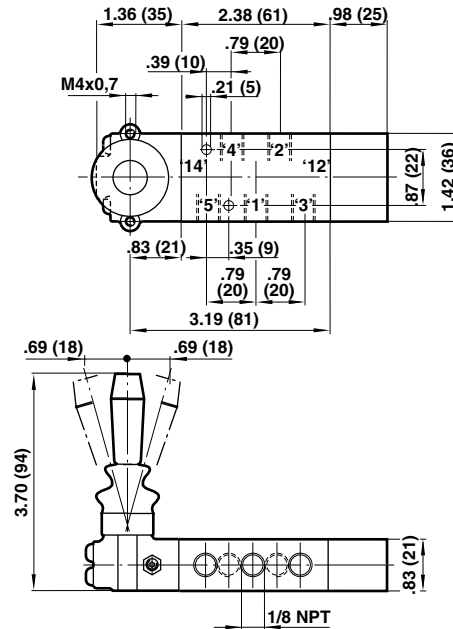
All Dimensions in Inches (mm)

X3 0478 22, X3 0477 22 1/8" NPT 5/2 Lever Operated Valves



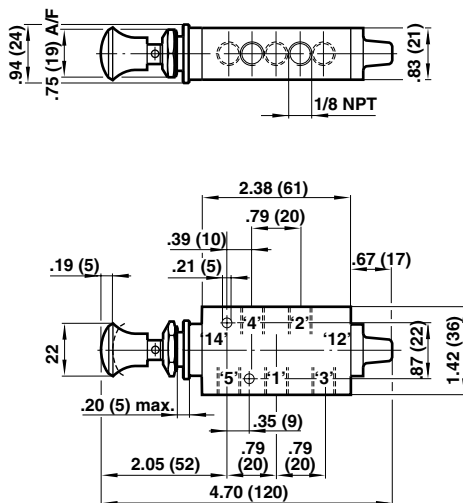
Operating Force: X3 0478 22 = 3.6 lbs (16N)
 X3 0477 22 = 3 lbs (13N)
 Both models are suitable for panel mounting by means of a bezel kit, reference 03 3437 64.
 Panel Hole: \varnothing .94" (24 mm); Panel Thickness: .31" (8 mm) maximum

X3 3438 22, X3 3478 22, X3 3437 22, X3 3477 22 1/8" NPT 5/2 Three Position Lever Operated Valves



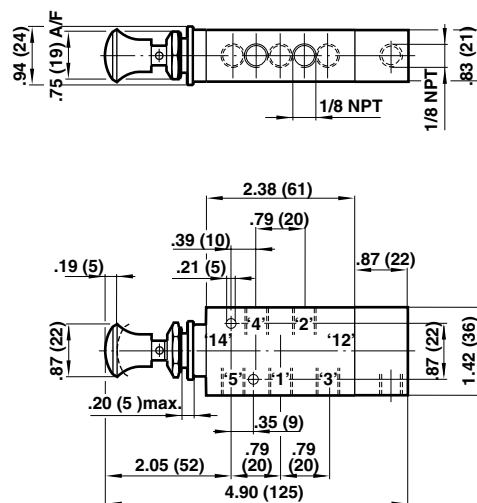
Operating Force: X3 3438 22 and X3 3478 22 = 3.4 lbs (15N)
 X3 3437 22 and X3 3477 22 = 3 lbs (12N)
 All models are suitable for panel mounting, by means of a bezel kit, reference 03 3437 64.
 Panel Hole: \varnothing .94" (24 mm); Panel Thickness: .31" (8mm) maximum

X3 0465 22 1/8" NPT 5/2 Knob Operated Knob Return Valve



Operating Force: 5 lbs (22N)
 This valve is suitable for panel mounting by means of an optional nut and washer, reference 03 0430 00.
 Panel Hole: \varnothing .59" (15 mm)
 Panel thickness: .20" (5mm) maximum

X3 0464 22 1/8" NPT 5/2 Knob Operated, Knob or Pilot Return Valve



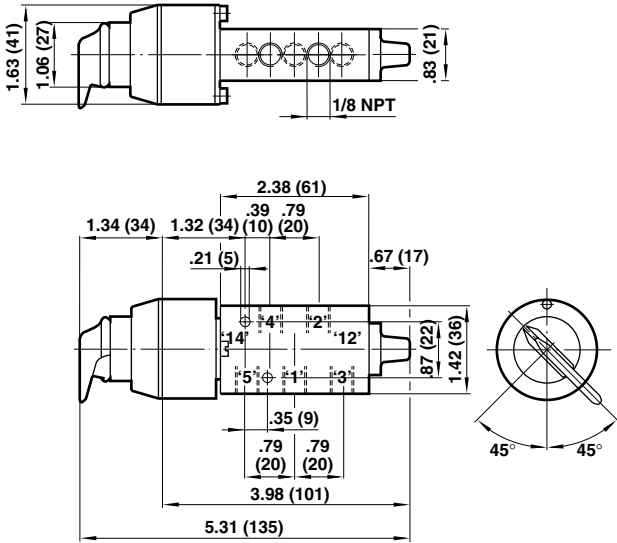
Operating Force: 5 lbs (22N)
 Reset Pressure: 30 psi (2 bar) minimum
 This valve is suitable for panel mounting by means of an optional nut and washer, reference 03 0430 00.
 Panel Hole: \varnothing .59" (15 mm)
 Panel thickness: .20" (5mm) maximum

Super X Series Valves

All Dimensions in Inches (mm)

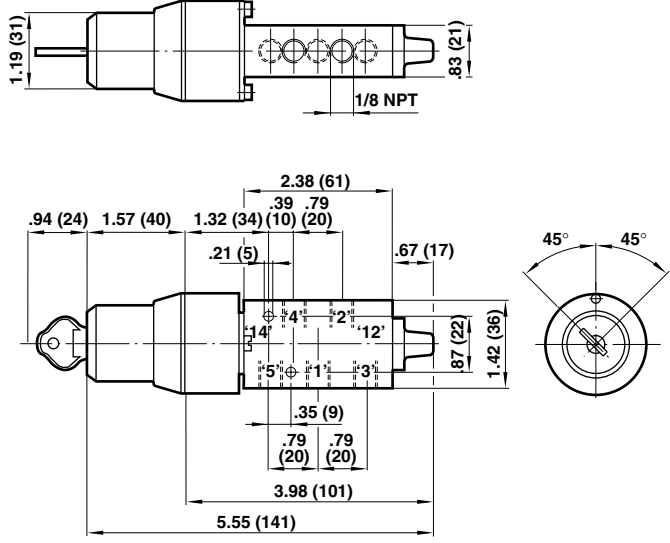


X3 0459 22 1/8" NPT 5/2 Rotary Knob Operated Knob Return Valve



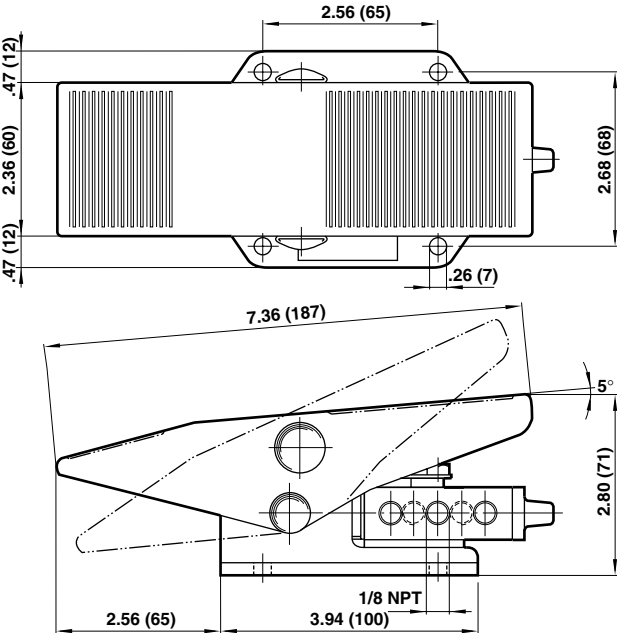
Switch shown in non-operated position.
This valve is suitable for panel mounting.
Panel Hole: Ø1.26" (32 mm); Panel Thickness: .24" (6 mm) maximum

X3 0458 22 801 1/8" NPT 5/2 Key Operated Key Return Valve



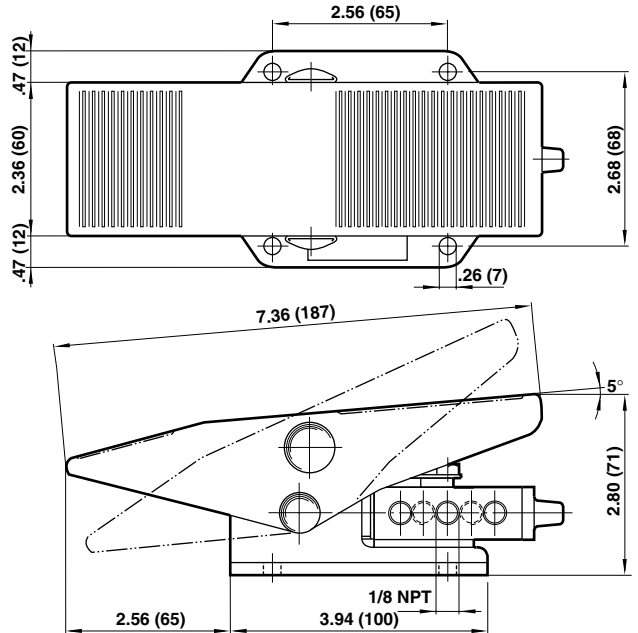
The key is removable in both positions. Key slot shown in non-operated position. Two keys are supplied.
This valve is suitable for panel mounting.
Panel Hole: Ø1.26" (32 mm); Panel Thickness: .24" (6 mm) maximum

X3 0482 22 1/8" NPT 5/2 Pedal Operated Spring Return Valve



Operating Force: 5 lbs (22N)
A foot guard is available for this valve, reference 03 0480 60.

X3 0484 22 1/8" NPT 5/2 Pedal Operated Pedal Return Valve



Operating Force: 5 lbs (22N)
A foot guard is available for this valve, reference 03 0480 60.

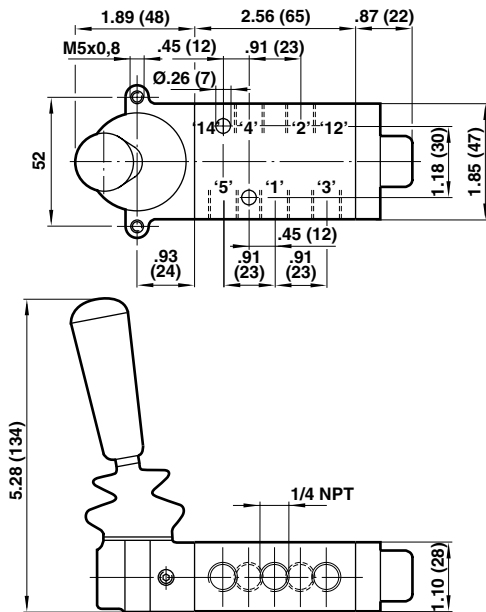


Super X Series Valves

All Dimensions in Inches (mm)

03 0638 22, 03 0637 22

1/4" NPT 3/2 Lever Operated Valves



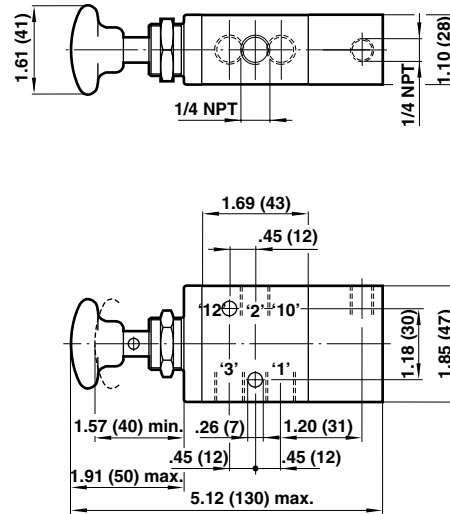
Operating Force: 03 0638 22 = 5 lbs (15N)
03 0637 22 = 3 lbs (13N)

Model 03 0637 02 features a positive detent in each position.
Both Models are suitable for panel mounting by means of a bezel kit, reference 03 3637 64.

Panel Hole: \varnothing 1.22" (31 mm);
Panel Thickness: .31" (8 mm) maximum

03 0608 22

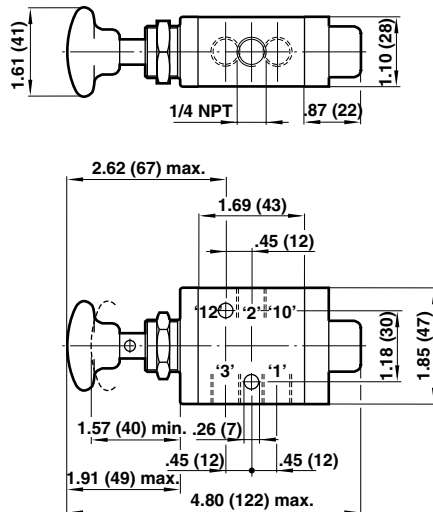
1/4" NPT 3/2 Button Operated Pilot Return Valve



Operating Force: 3 lbs (13N), pilot port '10' at zero bar
Reset Pressure: 30 psi (2 bar) minimum
This valve is suitable for panel mounting and includes a nut and washer.
Panel Hole: \varnothing .83 (21 mm); Panel thickness: .31 (8 mm) maximum

03 0604 22

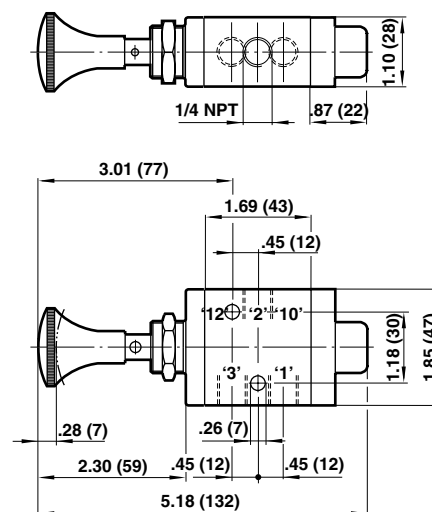
1/4" NPT 3/2 Button Operated Spring Return Valve



Operating Force: 12lbs (53N)
This valve is suitable for panel mounting and includes a nut and washer.
Panel Hole: \varnothing .83" (21 mm); Panel Thickness: .31" (8 mm) maximum

03 0625 22

1/4" NPT 3/2 Knob Operated Knob Return Valve



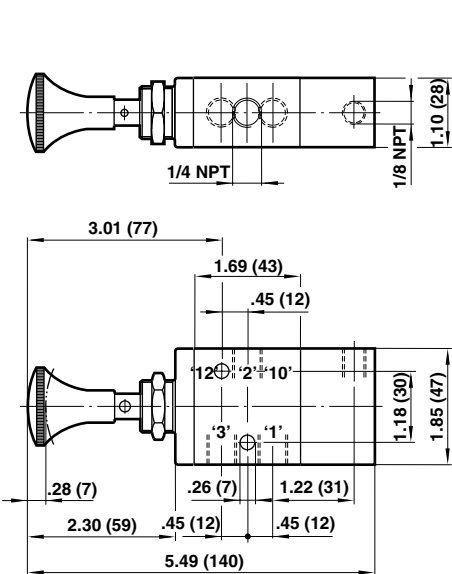
Operating Force: 3 lbs (13N)
This valve is suitable for panel mounting and includes a nut and washer.
Panel Hole: \varnothing .83" (21 mm); Panel Thickness: .31" (8 mm) maximum

Super X Series Valves

All Dimensions in Inches (mm)

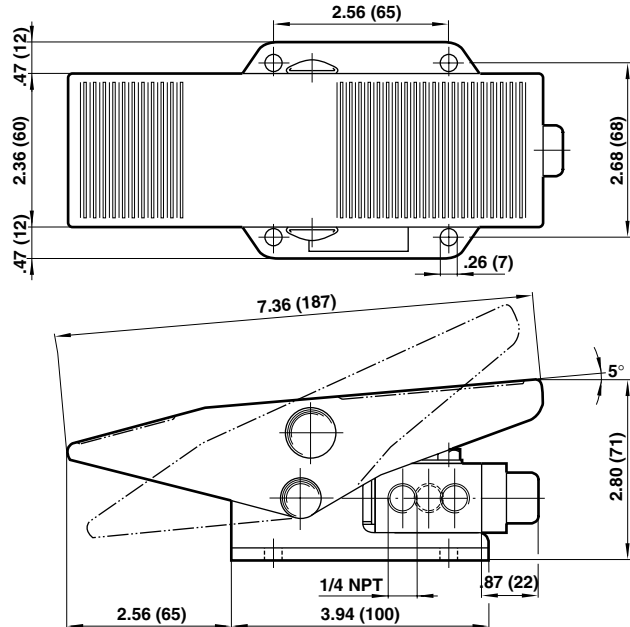


03 0627 22 1/4" NPT 3/2 Knob Operated, Knob or Pilot Return Valve



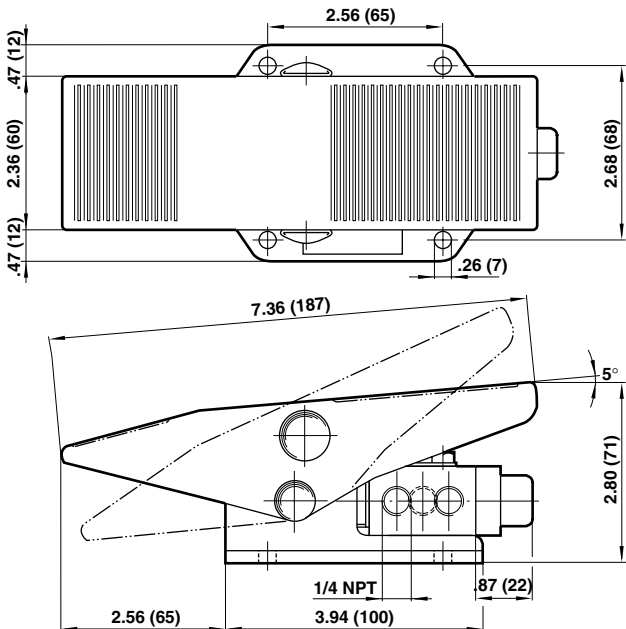
Operating Force: 3 lbs (13N)
 Reset Pressure: 58 psi (4 bar) minimum
 This valve is suitable for panel mounting and includes a nut and washer.
 Panel Hole: \varnothing .53" (21 mm); Panel Thickness: .31" (8 mm) maximum

03 0681 22 1/4" NPT 3/2 Pedal Operated Spring Return Valve



Operating Force: 5 lbs (22N)
 A foot guard is available for this valve, reference
 03 0480 60.

03 0683 22 1/4" NPT 3/2 Pedal Operated Pedal Return Valve



Operating Force: 5 lbs (22N)
 A foot guard is available for this valve, reference
 03 0480 60.

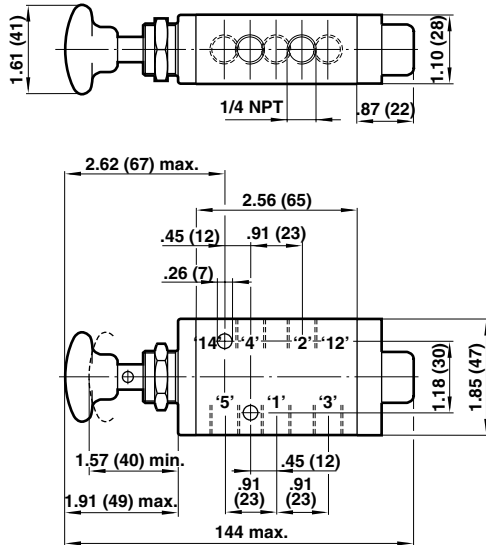


Super X Series Valves

All Dimensions in Inches (mm)

X3 0644 22

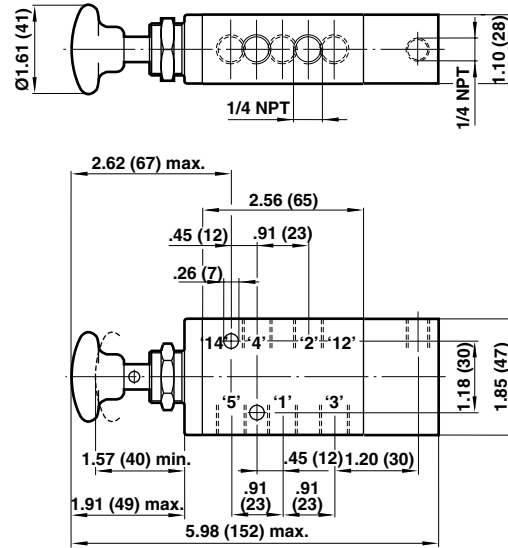
1/4" NPT 5/2 Button Operated Spring Return Valve



Operating Force: 14 lbs (62N)
 This valve is suitable for panel mounting and includes a nut and washer.
 Panel Hole: \varnothing .83" (21 mm); Panel Thickness: .31" (8 mm) maximum

X3 0648 22

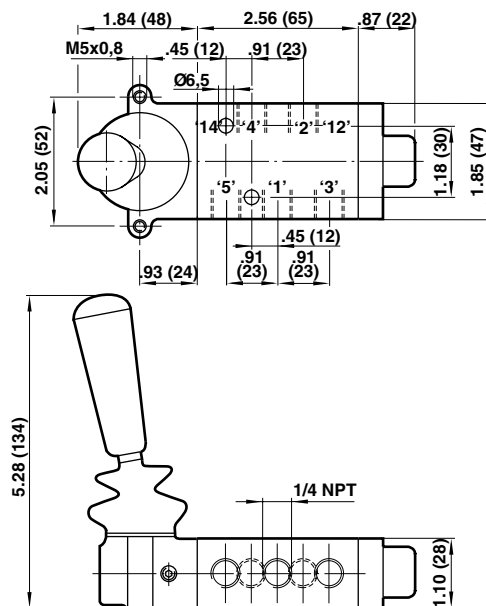
1/4" NPT 5/2 Button Operated Pilot Return Valve



Operating Force: 3 lbs (13N), pilot port '12' at zero bar
 Reset Pressure: 30 psi (2 bar) minimum
 This valve is suitable for panel mounting and includes a nut and washer.
 Panel Hole: \varnothing .83" (21 mm); Panel thickness: .31" (8mm) maximum

X3 0678 22, X3 0677 22

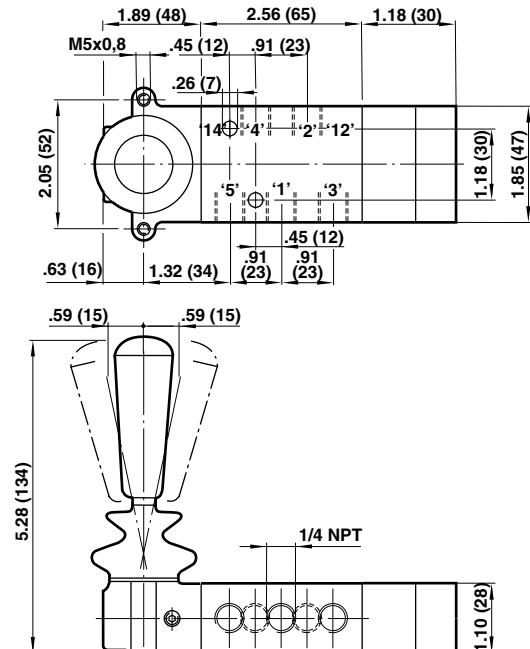
1/4" NPT 5/2 Lever Operated Valves



Operating Force: X3 0678 22 = 3.4 lbs (15N)
 X3 0677 22 = 3 lbs (13N)
 Model X3 0677 02 features a positive detent in each position.
 Both models are suitable for panel mounting by means of a bezel kit, reference 03 3637 64.
 Panel Hole: \varnothing 1.22" (31 mm);
 Panel Thickness: .31" (8 mm) maximum

X3 3638 22, X3 3678 22, X3 3637 22, X3 3677 22

1/4" NPT 5/3 Three Position Lever Operated Valves



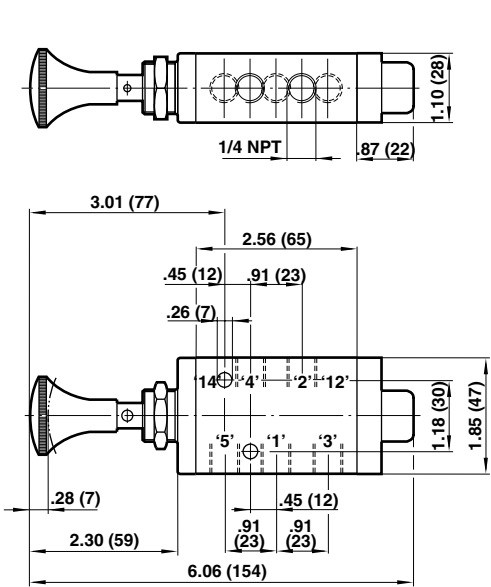
Operating Force: X3 3638 22 & X3 3678 22 models = 3.4 lbs (15N)
 X3 3637 22 & X3 3677 22 models = 3 lbs (12N)
 These valves are suitable for panel mounting by means of a bezel kit, reference 03 3637 64.
 Panel Hole: \varnothing 1.22" (31 mm)
 Panel Thickness: .31" (8 mm) maximum

Super X Series Valves

All Dimensions in Inches (mm)

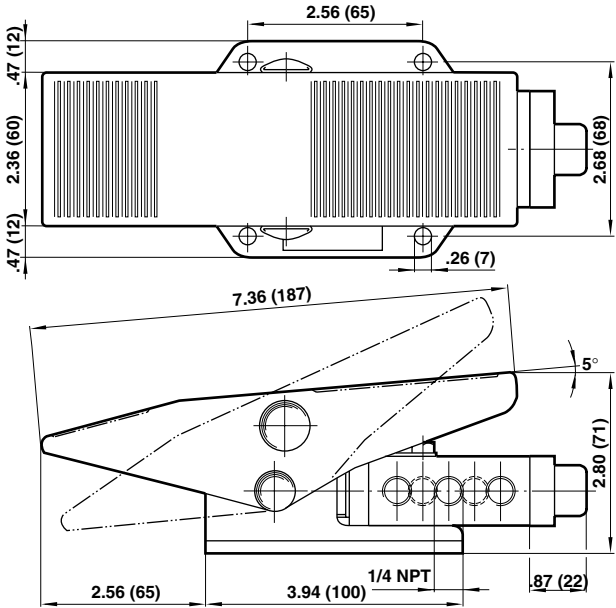


X3 0665 22 1/4" NPT 5/2 Knob Operated Knob Return Valve



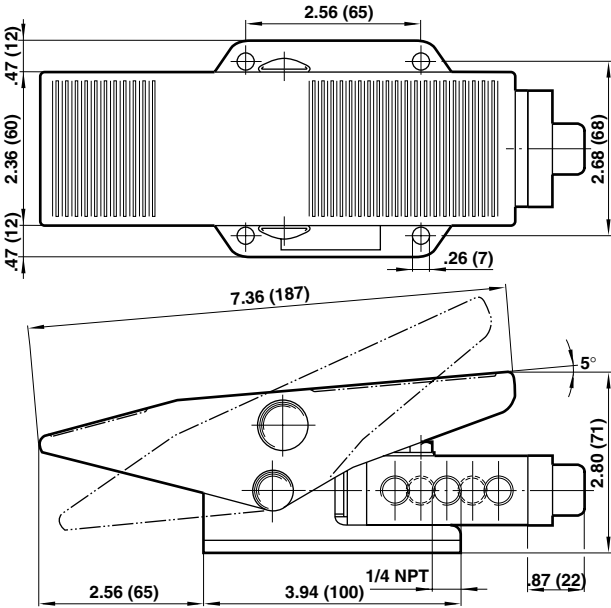
Operating Force: 3 lbs (13N)
This valve is suitable for panel mounting and includes a nut and washer.
Panel Hole: Ø.83" (21 mm); Panel Thickness: .31" (8 mm) maximum

X3 0682 22 1/4" NPT 5/2 Pedal Operated Spring Return Valve



Operating Force: 5 lbs (22N)
A foot guard is available for this valve, reference 03 0480 60

X3 0684 22 1/4" NPT 5/2 Pedal Operated Pedal Return Valve



Operating Force: 5 lbs (22N)
A foot guard is available for this valve, reference 03 0480 60