

DOUBLE VALVE SERIES XSz 1/4" Size 8

NEW PRODUCT
INTRODUCTION



HERION USA, Inc.
Valve Technology and Systems



BROCHURE 1101-S

We are pleased to introduce our newest addition to our XSz Series of Pneumatic Press Double Valves:

XSz-8

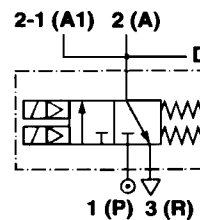


APPLICATION:

- Small C-Frame mechanical power presses
- Pneumatic cylinder-operated "punch" presses
- Pneumatic cylinder applications where safety (fail-to-exhaust) is required

FEATURES:

- Internal, dynamic pneumatic monitor
- Same airlogic technology as larger XSz Series
- Optional Fault Indicator for diagnostic purposes
- Base-mount design for easy valve replacement
- Meets all INTERNATIONAL SAFETY regulations
- REASONABLY PRICED safety option for small machines



Cv (Flow Rate)	
1 → 2	2 → 3
2.3	1.6

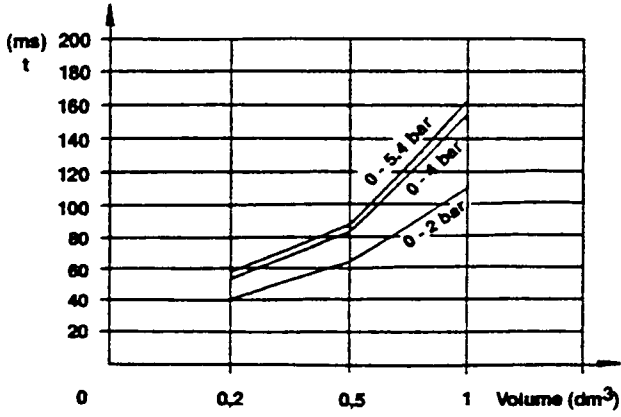
SPECIFICATIONS:

Working Medium	: Compressed air, filtered, lubricated or non-lubricated.
Temperature	: 15° F to 140° F.
Operating pressure	: 20 to 120° psig.
Body	: Aluminum
Piston Seals	: Polyurethane
Port Sizes	: 1/4"
Model No.	: XSz-8

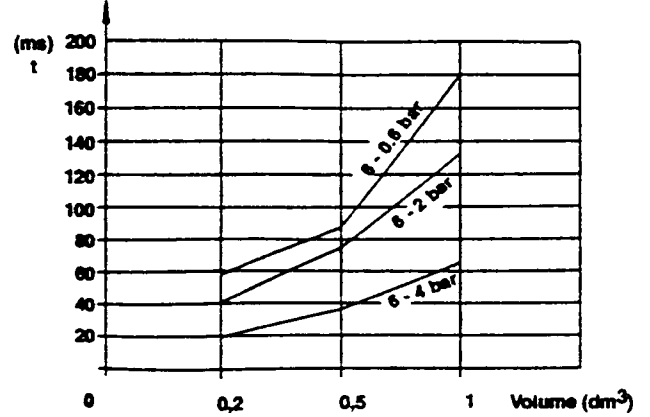
PART NUMBERS:

Port Threads	AC	DC
NPT	2492805.3053.120.60	2492805.3053.024.00
BSPP	2492806.3053.120.60	2492806.3053.024.00

PRESSURE BUILD-UP AND EXHAUST TIMES:

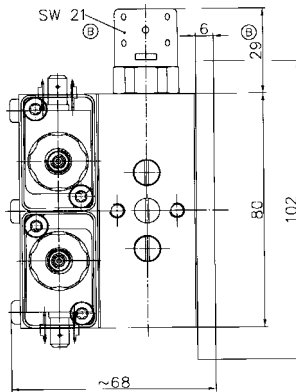
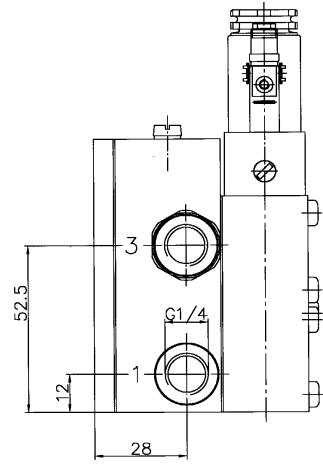
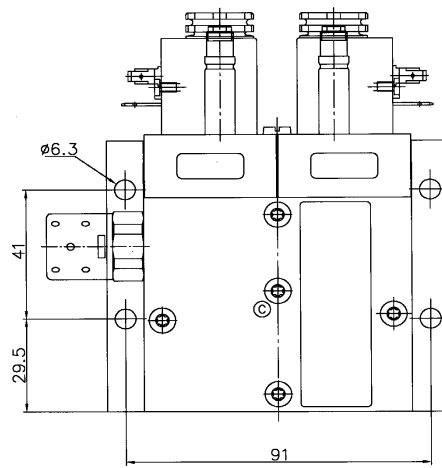
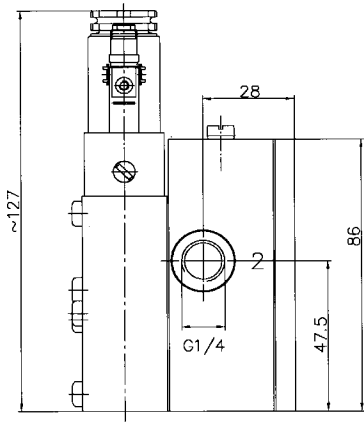


Pressure Build-up



Exhaust

DIMENSIONS: (in millimeters)



HERION USA Inc. • 176 Thorn Hill Road • Warrendale • PA 15086
Phone: 724.776.5577 Fax: 724.776.0310
e-mail: sales@herionusa.com www.herionusa.com